



MaxFlo VS™

»»» Variable-Speed Pump Series

THE MOST ENERGY-EFFICIENT
PUMP OF ITS KIND



Intuitive control pad can be rotated in four directions on the pump or removed and wall mounted

See-through strainer cover lets you see when the basket needs cleaning

1 1/2" x 2" union connections allow for seamless installation in any application

Advanced hydraulic design offers increased efficiency and incredibly quiet operation, especially at lower speeds



ENERGY-EFFICIENT DESIGN

MaxFlo VS pumps can save up to 80% on energy costs, paying for themselves faster than larger, more expensive models. The 115V model is the most efficient pump of its kind, according to EPA Energy Star® third-party testing, and a permanent magnet totally-enclosed fan-cooled motor means all MaxFlo VS pumps are designed with efficiency in mind.



UNIVERSAL COMPATIBILITY

A MaxFlo VS pump is an easy, drop-in upgrade that can operate in standalone mode or connect to any automation system, either directly or with relays.



UPGRADE AND SAVE

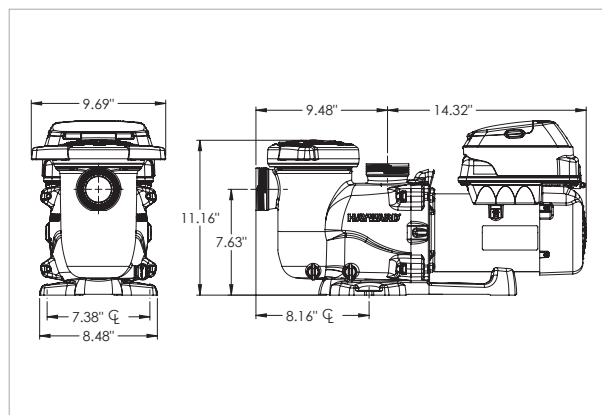
Compatible with the entire MaxFlo™ line for seamless retrofitting, the MaxFlo VS includes 8 customizable speed and timer functions as well as a 24-hour programmable clock to monitor power consumption and maximize energy savings.



SPECIFICATIONS

MODEL NUMBER	STAND ALONE	RELAY CONTROL	HAYWARD® AUTOMATION	TOTAL HP	VOLTAGE
SP2303VSP	•	•	•	1.65	230V Single Phase
SP23115VSP*	•	•	•	0.85	115V Single Phase

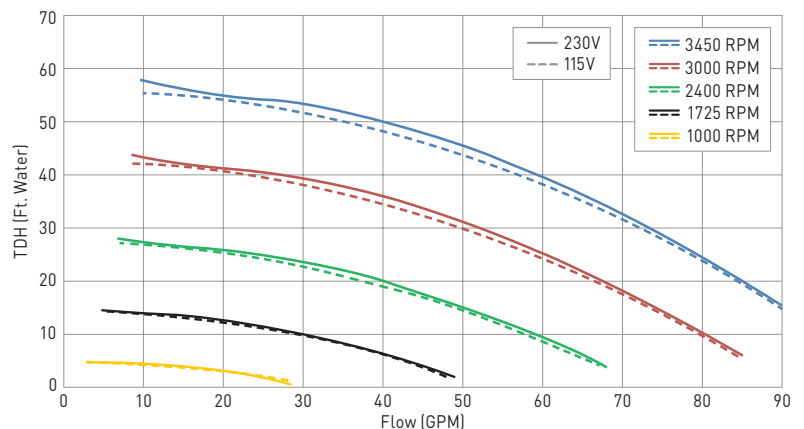
MAXFLO VS DIMENSIONS (INCHES)



*Available with automation as of July 2018.

» hayward.com » 1-888-HAYWARD

MAXFLO VS PERFORMANCE COMPARISON



MaxFlo VS pumps are listed by:



Pumps » Filters » Heaters » Cleaners » Sanitization » Automation » Lighting » Water Features » White Goods

